



## **LI10600T070IA7098-TCF**

7.0 inch, 1024×600, IPS screen with wide viewing angle, air bonding CTP

DWIN Technology Technical Document

Disclaimer: The product design is subject to alternation and improvement without prior notice.

## Table of Contents

1 General Feature.....	3
2 Mechanical Drawing.....	5
3 Input/Output Terminals.....	6
4 Electrical Characteristics.....	7
5 Timing Characteristics .....	9
6 Optical Characteristics.....	12
7 Environmental Reliability Test .....	15
8 Packing Capacity & Dimension .....	17
9 Appearance Inspection .....	19
10 Precautions for Use of LCD Modules .....	20
11 Laminated Screen Introduction .....	21

# 1 General Feature

## 1.1 LCD Parameters

Feature		Description	Unit
Display Spec.	Size	7.0	inch
	Resolution	1024(H)*600(V)	pixels
	Pixel Configuration	RGB island	-
	Pixel Pitch	0.0642(H)*0.1790(V)	mm
	Viewing Direction	ALL	-
Mechanical Characteristics	Outside Dimension	164.9(W)*100.0(H)*2.8(D)	mm
	Active Area	154.21(W)*85.92(H)	mm
	Luminance	550	cd/m <sup>2</sup>
	LED Numbers	30 LEDS	-
	Pin Order	From left to right 50PIN_0.5mm	-
Electrical Characteristics	Interface	RGB_24bit	-
	Color Depth	16.7M	colors
	Driver Condition	3.3(Type)	V
	Driver IC	HX8696-A01APD300/ HX8282-A11DPD300	-
Temperature Range	Operating Temp.	-20~70	°C
	Storage Temp.	-30~80	°C

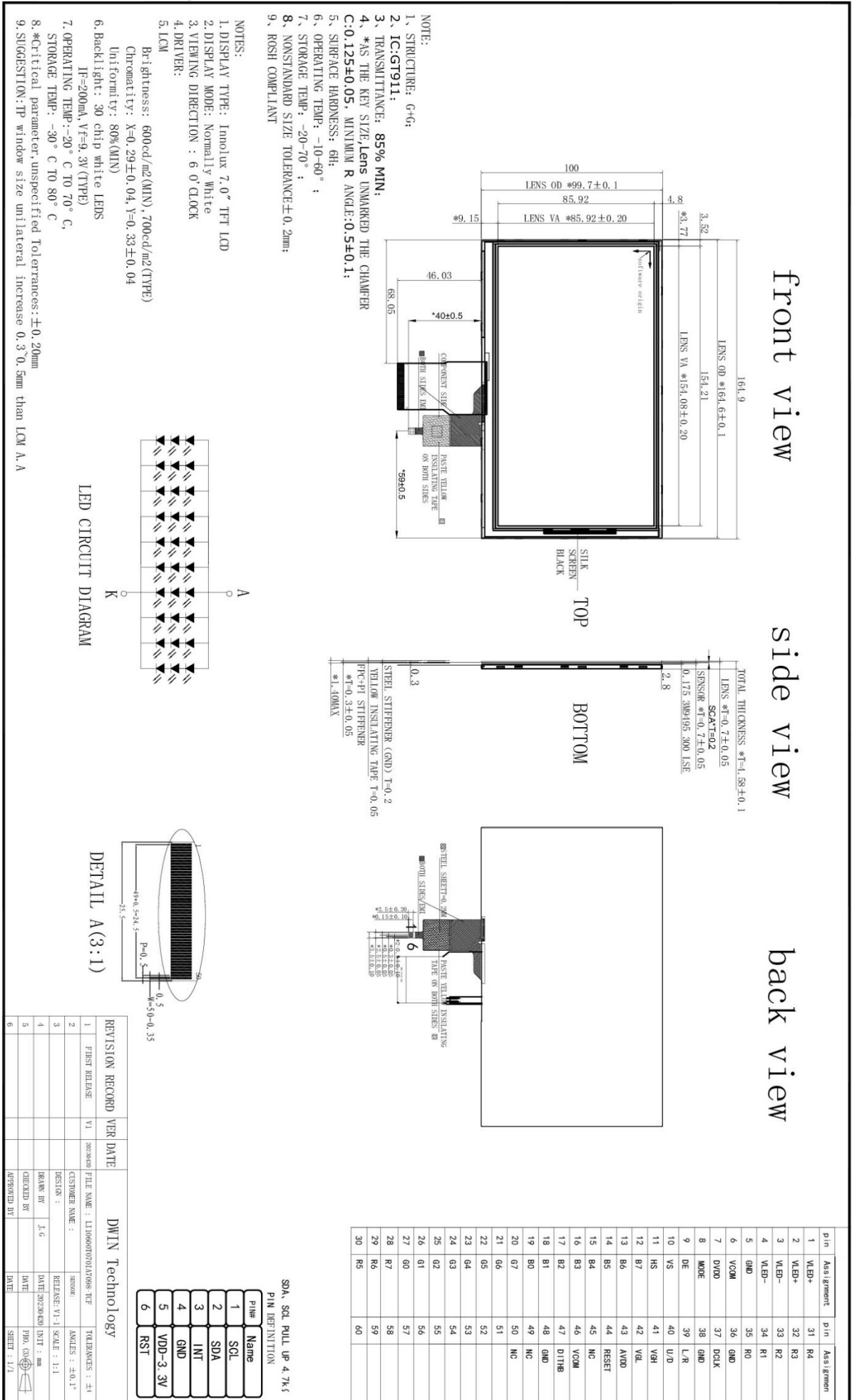
## 1.2 Touch Parameters

Feature	Description
Type	CTP (Capacitive touch panel)
Structure	G+G
Outline Size(mm)	164.6(L)*99.7(W)*1.6(T)
View Area(mm)	154.08(L)*85.92(W)
Control Type	GT911
Surface Hardness	6H
Light Transmittance	≥85%
Operating Temperature	-10~60°C
Storage Temperature	-20~70°C

**Note: Requirements on Environmental Protection: RoHS**

You can use dynamic screen saver wallpapers to avoid afterimages caused by fixed paper display for a long time.

## 2 Mechanical Drawing



### 3 Input/Output Terminals

#### 3.1 LCD Input/Output Terminals

Pin NO.	Symbol	Function	Remark
1	VLED+	Power for LED backlight (Anode)	
2	VLED+	Power for LED backlight (Anode)	
3	VLED-	Power for LED backlight (Cathode)	
4	VLED-	Power for LED backlight (Cathode)	
5	GND	Power ground	
6	VCOM	Common voltage	
7	DVDD	Power for Digital Circuit	
8	MODE	DE/SYNC mode select	
9	DE	Data Input Enable	
10	VS	Vertical Sync Input	
11	HS	Horizontal Sync Input	
12-19	B7-B0	Blue data	
20-27	G7-G0	Green data	
28-35	R7-R0	Red data	
36	GND	Power Ground	
37	DCLK	Sample clock	
38	GND	Power Ground	
39	L/R	Left / right selection	
40	U/D	Up/down selection	
41	VGH	Gate ON Voltage	
42	VGL	Gate Off Voltage	
43	AVDD	Power for Analog Circuit	
44	RESET	Global reset pin	
45	NC	No connection	
46	VCOM	Common Voltage	
47	DITHB	Dithering function	
48	GND	Power Ground	
49	NC	No connection	
50	NC	No connection	

#### 3.2 TP Input/Output Terminals

Pin NO.	Logic	Remark
1	SCL	
2	SDA	
3	INT	
4	GND	
5	VDD-3.3V	
6	RST	

## 4 Electrical Characteristics

Item	Symbol	Min.	Typ.	Max.	Unit	Remark
Digital Voltage	DVDD	3.0	3.3	3.6	V	
Analog Voltage	AVDD	10.2	10.4	10.6	V	
Gate Driver High Voltage	VGH	15	17.0	19	V	
Gate Driver Low Voltage	VGL	-9.0	-7.0	-5.0	V	
Input Signal Voltage	VCOM	4.35	5.35	6.35	V	
Input logic High Voltage	VIH	0.7DVDD	-	DVDD	V	
Input logic High Voltage	VIL	0	-	0.3DVDD	V	

### 4.2 LED Backlight Specification

Item	Symbol	Min.	Typ.	Max.	Unit	Remark
Forward Current	I <sub>F</sub>	-	-	25	mA	Each LED
Reverse Voltage	V <sub>R</sub>	-	-	1.2	V	Each LED
Voltage for LED Backlight	V <sub>L</sub>	8.4	9.3	10.2	V	Note 1
Current for LED Backlight	I <sub>L</sub>	150	200	250	mA	
Luminance	L <sub>V</sub>	500	550	-	cd/m <sup>2</sup>	
Power Consumption	P <sub>LED</sub>	-	1.674w	-	mW	
Uniformity(with L/G)	Avg	75	80	-	%	
LED Life-Time	Hr	-	20000	-	Hour	Note 2

Note: 30 LEDs (3 LEDs Serial, 10 ways Parallel)

Note 1: The LED Supply Voltage is defined by the number of LED at Ta=25°C and I<sub>L</sub> =140mA.

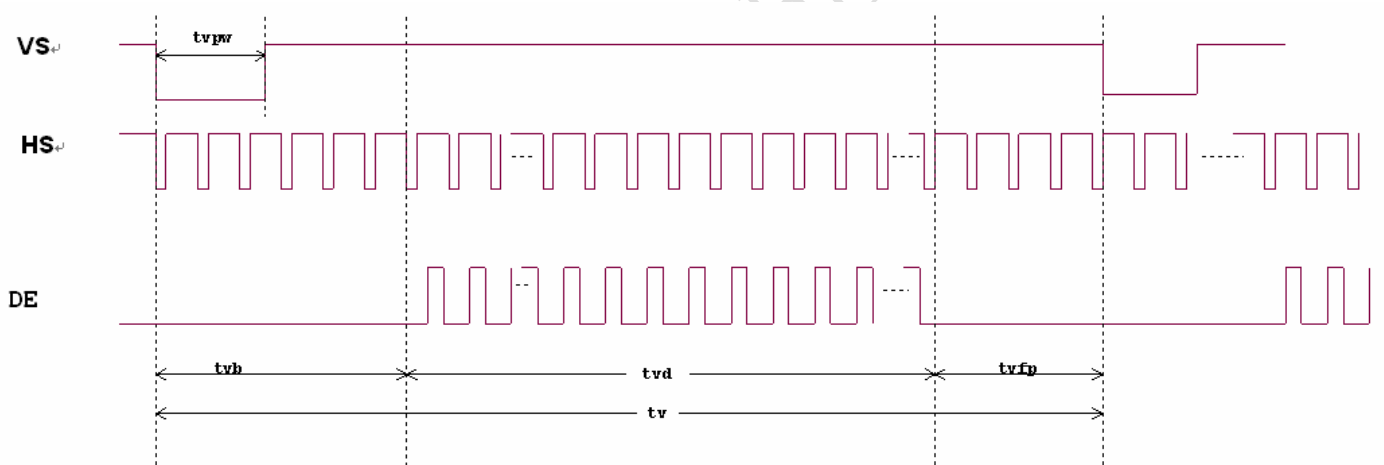
Note 2: The "LED life time" is defined as the module brightness decrease to 50% original brightness at Ta=25°C and I<sub>L</sub> =140mA. The LED lifetime could be decreased if operating I<sub>L</sub> is larger than 140mA.

## 5 Timing Characteristics

### 5.1 Data Input Format



Horizontal input timing diagram



Vertical input timing diagram



## 5.2 Timing

Item	Symbol	Values			Unit	Remark
		Min.	Typ.	Max.		
Horizontal display area	thd		1024	-	DCLK	
DCLK frequency	fclk	40.8	51.2	67.2	MHz	
One horizontal line	th	1114	1344	1400	DCLK	
HS pulse width	thpw	1	-	40	DCLK	
HS blanking	thb	46	46	46	DCLK	
HS front porch	thfp	10	35	200	DCLK	

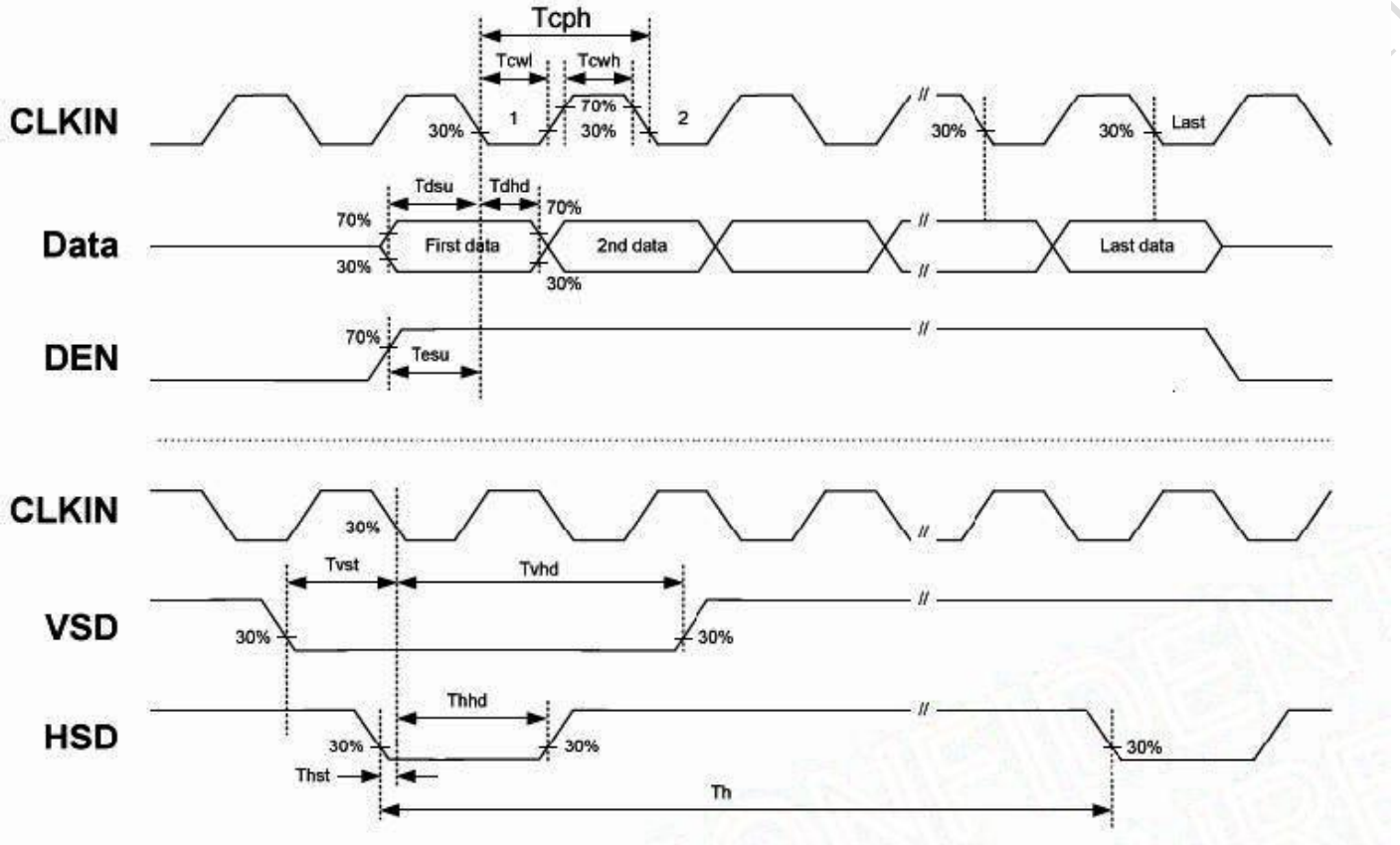
Item	Symbol	Values			Unit	Remark
		Min.	Typ.	Max.		
Vertical display area	tvd	-	600	-	TH	
VS period time	tv	624	635	750	TH	
VS pulse width	tvpw	1	-	20	TH	
VS blanking	tvb	23	23	23	TH	
VS front porch	tvfp	1	12	127	TH	

## 5.3 AC Electrical Characteristics

Item	Symbol	Min.	Typ.	Max.	Unit	Remark
HS setup time	Thst	8.0	-	-	nS	
HS hold time	Thhd	8.0	-	-	nS	
VS setup time	Tvst	8.0	-	-	nS	
VS hold time	Tvhd	8.0	-	-	nS	
Data setup time	Tdsu	8.0	-	-	nS	
Data hole time	Tdhd	8.0	-	-	nS	
DE setup time	Tesu	8.0	-	-	nS	
DE hole time	Tehd	8.0	-	-	nS	
DVDD power on slew rate	TPOR	-	-	20	mS	From 0 to 90% DVDD

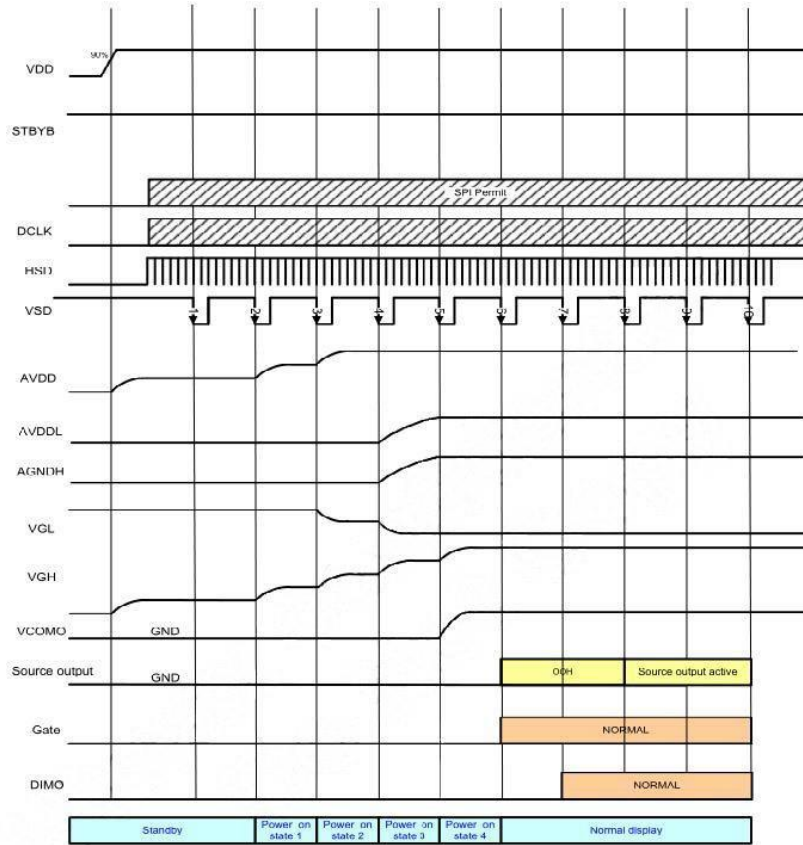
RESET pulse width	TRst	1	-	-	mS	
DCLK cycle time	Tcoh	20	-	-	nS	
DCLK pulse duty	Tcwh	40	50	60	%	

### 5.4 Input Clock and Data Timing Diagram

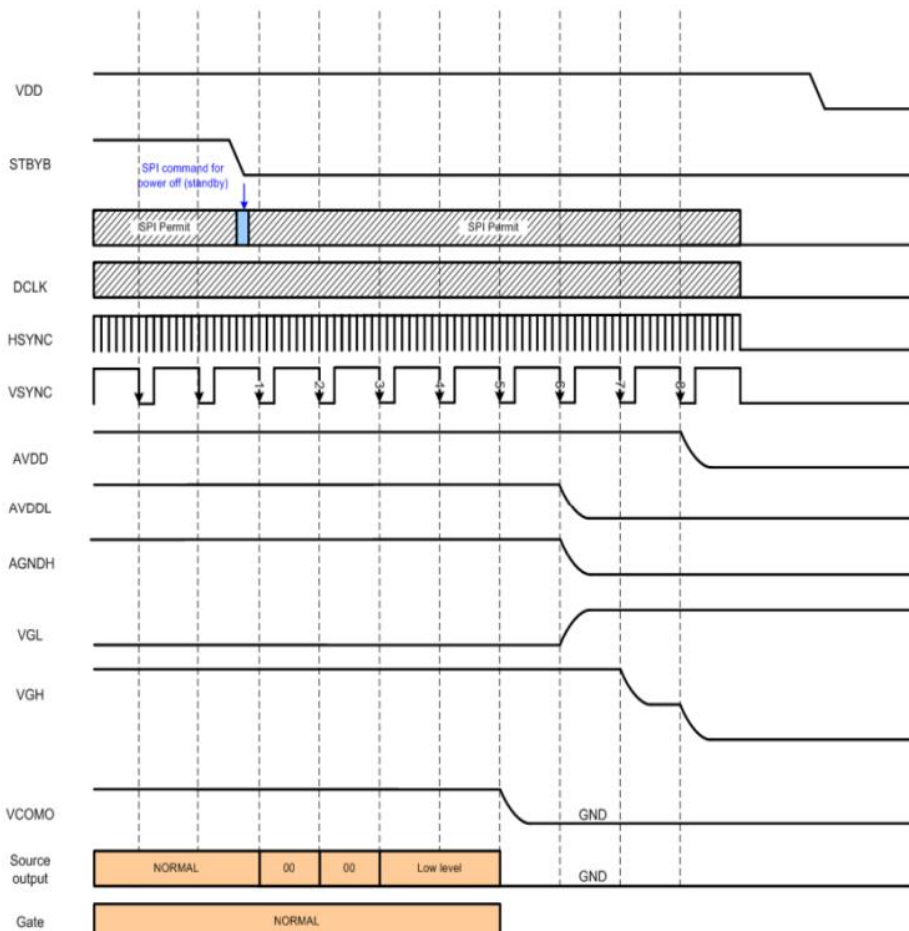


## 5.5 Power Function Description

### Power on



### Power off



## 6 Optical Characteristics

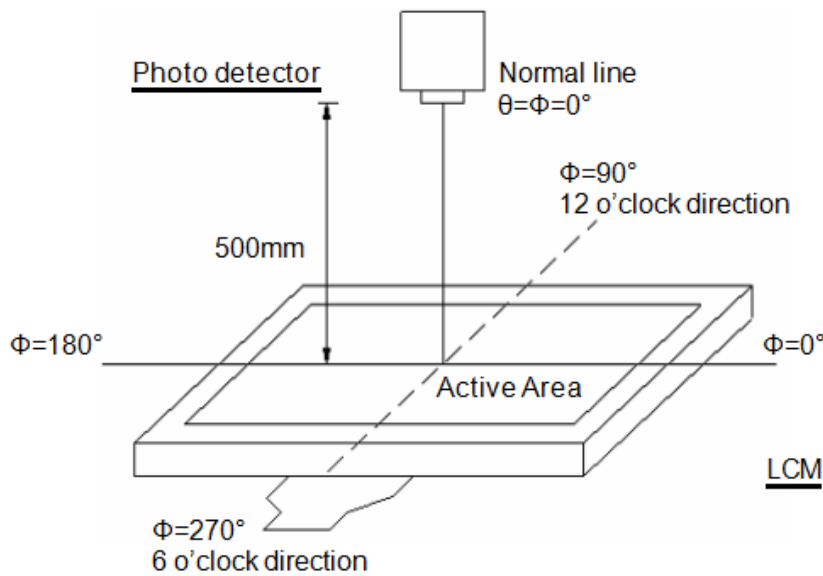
Item	Symbol	Condition	Min.	Typ.	Max.	Unit	Remark
Viewing Angle	Top	$CR \geq 10$	-	80	-	Deg.	Note 2
	Bottom		-	80	-		
	Left		-	80	-		
	Right		-	80	-		
Contrast Ratio	CR	$\theta = \Phi = 0^\circ$	800	1000	-		
Response Time	$T_{ON}$		-	10	20	ms	Note 4
	$T_{OFF}$		-	15	30	ms	
Color Chromaticity	$W_x$		0.26	0.31	0.36		Note 5
	$W_y$	0.28	0.33	0.38			

Test conditions:

IF= 200 mA, and the ambient temperature is 25°C.

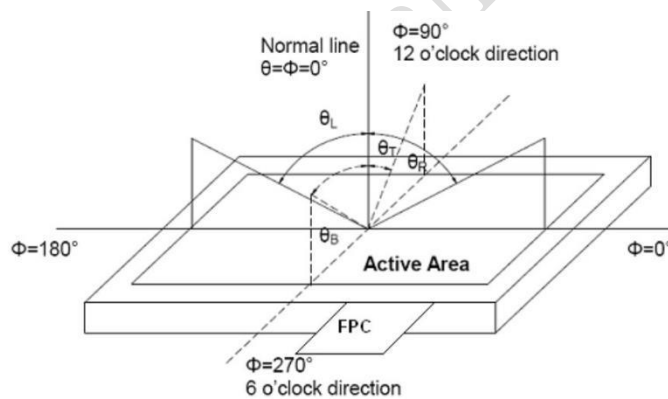
Note 1: Definition of optical measurement system.

The optical characteristics should be measured in dark room. After 5 minutes operation, the optical properties are measured at the center point of LCD.



Note 2: Definition of viewing angle range and measurement system.

The viewing angle is measured at the center point of the LCD by BM-7A.

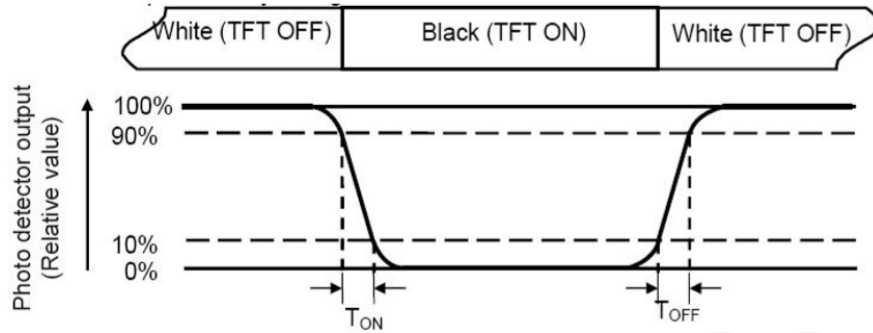


Note 3: When the radiation of the light source is exactly the same in the visible region and the absolute blackbody, the temperature of the blackbody is called the color temperature of the light source. Color temperature is an index to measure the degree of light source color (cold color, warm color).

Warm color < 3300K, intermediate color 3300 ~ 5000K, cold color > 5000K.

**Note 4: Definition of response time.**

The response time is defined as the LCD optical switching time interval between “White” state and “Black” state. Time ON (TON) is the time between photo detector output intensity changed from 90% to 10%. And time off (TOFF) is the time between photo detector output intensity changed from 10% to 90%.



**Note 5: Definition of color chromaticity (CIE1931).**

Color coordinates measured at center point of LCD.

**Note 6: Definition of luminance.**

Measure the luminance of white state at center point.

## 7 Environmental Reliability Test

NO	Test Item	Condition	Remarks
1	High Temperature Operation	Ta=+70°C,240hours	Note 1, Note 4
2	Low Temperature Operation	Ta=-20°C,240hours	Note 1, Note 4
3	High Temperature Storage	Ta=+80°C,240hours	Note 1, Note 4
4	Low Temperature Storage	Ta=-30°C,240hours	Note 1, Note 4
5	Storage at High Temperature and Humidity	Ta=+60°C,90% RH max,240hours	Note 4
6	Thermal Shock (non-operation)	-30°C 30 min~+85°C 30 min, for a total 100cycles, Start with cold temperature and end with high temperature.	Note 4
7	ESD(non-operation)	± 2KV, Human Body Mode, 100pF/1500 Ω	
8	Vibration Test	Frequency range:10~55Hz Stroke:1.5mm Sweep:10Hz~55Hz~10Hz 2 hours for each direction of X.Y.Z. (6 hours for total)	
9	Mechanical Shock (non-operation)	Half Sine Wave 60G 6ms, ±X, ±Y, ±Z 3times for each direction	
10	Package Drop Test	Height:60cm,1corner,3 edges,6 surfaces	
11	Package Vibration Test	Random Vibration: 0.015G*G/Hz from5-200HZ, -6dB/Octave from 200-500HZ 2 hours for each direction of X. Y. Z. (6 hours for total)	

Note 1: Ta is the ambient temperature of samples.

Note 2: Ts is the temperature of panel's surface.

Note 3: In the standard condition, there shall be no practical problem that may affect the display function. After the reliability test, the product only guarantees operation, but don't guarantee all of the cosmetic specification.

Note 4: Before cosmetic and function test, the product must have enough recovery time, at least 2 hours at room temperature.

## 8 Packing Capacity & Dimension

Dimension			
Dimension(mm)	164.90(W)*100.00(H)*4.58(D)		
Net Weight	-		
Packing Capacity			
Size	LCD Size and Resolution	Layer	Quantity (Pcs)
250mm(L)x200mm(W)x80mm(H)	7.0 inch 1024*600	1	1
600mm(L)x450mm(W)x300mm(H)	7.0 inch 1024*600	1	80

Packing instruction:

The LCD+TP is placed in the grid, covered with a PE static bag and compactly assembled, the upper and the lower layers of the grid are protected by buffer spaces.

The LCD covered with a PE static bag and compactly assembled



placed in the grid



The upper and the lower layers of the grid are protected by buffer spaces



Packed





## 9 Appearance Inspection

### 9.1 General rules for inspection

9.1.1 Anti-static wearables (anti-static wristbands, gloves) must be worn during the inspection.

9.1.2 Do not use bare hands to touch the position of the device, golden fingers, and the surface of the screen to prevent the sweat from human hands from causing oxidation and affecting the appearance.

9.1.3 It is forbidden to stack products out of specification and handle them with care to avoid damage to components.

9.1.4 The repaired products need to be inspected to prevent rosin and tin slag from exceeding the specifications.

9.1.5 When technical documents and process documents have specific requirements for products, the technical documents and process documents shall be the main requirements.

### 9.2 Inspection conditions

9.2.1 The conditions of display function check

Angle:  $\pm 5^\circ$ ;

Inspection method: visual inspection. The inspection object is 30-40cm away from the light source, and the eye is 30-40cm away from the inspection object;

Illumination: 300-500Lux;

Inspection time: 5-10S.

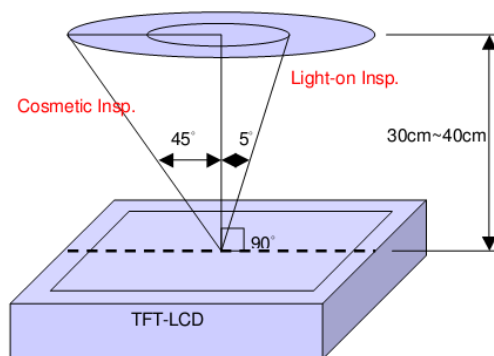
9.2.2 Visual inspection conditions

Angle:  $\pm 45^\circ$ ;

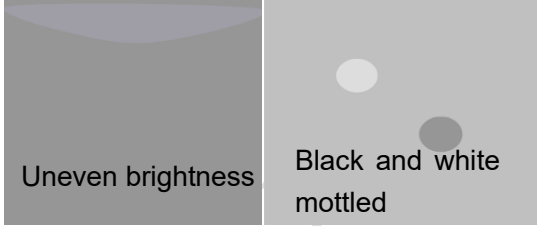
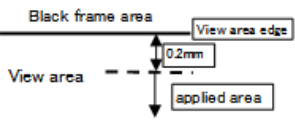
Inspection method: visual inspection. The inspection object is 30-40cm away from the light source, and the eye is 30-40cm away from the inspection object;


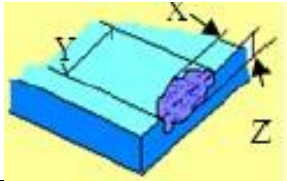
Illumination: 800-1500Lux;

Inspection time: 5-10S.



## 9.3 Inspection standard

Type	Test Items	Judgement Standard	Defect Category
Display state	Dead pixels	No dead pixels	
	mura	From different angles, the brightness is required to be uniform. Under the 64-level grayscale or pure black interface, there should be no uneven display brightness within the viewing angle range of 45° through 6% ND FILTER. Y series (TV film) LCD screen does not have specific requirements, and the picture inspection does not affect the display as qualified.	Slight defect
			
	Light leakage	Under the 64-level grayscale or pure black interface, there should be no obvious light leakage within the viewing angle range of 45° by visual inspection or through 6% ND FILTER. Y series (TV LCD screen) series can be without obvious visual defects.	Slight defect
	Linear foreign bodies	1. $W \leq 0.05$ , $L \leq 2$ mm, negligible; 2. $0.05\text{mm} < W \leq 0.1\text{mm}$ , $L \leq 2$ mm, $N \leq 3$ ; 3. $W > 0.1\text{mm}$ , $L > 2$ mm, not allowed.	Slight defect
	Bubble in OCA	1. $D < 0.20$ mm, negligible; 2. $0.20\text{mm} < D \leq 0.30\text{mm}$ , $N \leq 4$ and, $DS > 10$ mm; 3. $0.30\text{mm} < D \leq 0.35\text{mm}$ , $N \leq 3$ and, $DS > 10$ mm; 4. $0.35\text{mm} < D$ , fault. (Guarantee area: within 0.2mm outside VA)	
Screen surface	Within the effective area	Spotted: 1. $D \leq 0.2$ mm and it is not a piece, it is not counted; 2. $0.2\text{mm} < D \leq 0.5\text{mm}$ , $N \leq 3$ ; 3. $D > 0.5\text{mm}$ , $L > 0.5\text{mm}$ , $W > 0.5\text{mm}$ are not allowed; (The spotted foreign objects shall not exceed the point-line gauge $D=0.5$ , and the black dot coverage shall be checked, and the spotted foreign objects shall be judged within the range of $D=0.5$ )	Slight defect
		Linear: 1. $W \leq 0.05$ , $L \leq 2$ mm, ignored; 2. $0.05 < W \leq 0.1\text{mm}$ , $L \leq 2$ mm, $N \leq 3$ ; 3. $W > 0.1\text{mm}$ , $L > 2$ mm, not allowed.	
	Outside the effective area Foreign objects Scratches Air bubbles	Foreign objects are not checked, and bubbles are not allowed to $D > 1$ mm; Non-inductive scratches of no more than $0.1 \times 8$ mm are allowed.	Slight defect

	Crack	Not allowed.		Slight defect
	Notch	1. Does not affect the appearance from the front; 2. Does not affect the relevant alignment; 3. $X \leq 1\text{mm}$ , $Y \leq 1\text{mm}$ , $N \leq 2$ .		Slight defect
	Glass side Foreign objects Dirty	1. The foreign body on the side is not controlled; 2. The paint pen marks on the side are not controlled; 3. Side oily note printing is not allowed.		Slight defect
FPC	Cracks Goldfinger crease	Not allowed.		Heavy deficit
	Crease	Slight creases are not controlled; The crease is whitish and has lines, which is not allowed.		Heavy deficit
	Top wound, stab wound	No damage to the line, $D \leq 0.2\text{mm}$ ; Damage to the line is not allowed.		Heavy deficit
	Scratch	Slight scratches on the surface are not controlled; Damage to the line is not allowed.		Heavy deficit
	Goldfinger scratch	$W \leq 0.05\text{mm}$ , no control; $W > 0.05\text{mm}$ , not allowed; Test probe tip marks are not controlled.		Heavy deficit
	Component	Under-soldering, over-soldering and false soldering are not allowed.		Heavy deficit

## 10 Precautions for Use of LCD Modules

### 10.1 Handling Precautions

10.1.1 The display panel is made of glass. Do not subject it to a mechanical shock by dropping it from a high place, etc.

10.1.2 If the display panel is damaged and the liquid crystal substance inside it leaks out, be sure not to get any in your mouth, if the substance comes into contact with your skin or clothes, promptly wash it off using soap and water.

10.1.3 Do not apply excessive force to the display surface or the adjoining areas since this may cause the color tone to vary.

10.1.4 The polarizer covering the display surface of the LCD module is soft and easily scratched. Handle this polarizer carefully.

10.1.5 If the display surface is contaminated, breathe on the surface and gently wipe it with a soft dry cloth. If still not completely clear, Can only use LCD dedicated cleaner, the following organic solvent can not be used:

- Isopropyl alcohol
- Ethyl alcohol
- Ketone
- Aromatic solvents

10.1.6 Do not attempt to disassemble the LCD Module.

10.1.7 If the logic circuit power is off, do not apply the input signals.

10.1.8 To prevent destruction of the elements by static electricity, be careful to maintain an

10.1.9 optimum work environment.

10.1.9.1 Be sure to ground the body when handling the LCD Modules.

10.1.9.2 Tools required for assembly, such as soldering irons, must be properly ground.

10.1.9.3 To reduce the amount of static electricity generated, do not conduct assembly and other work under dry conditions.

10.1.9.4 The LCD Module is coated with a film to protect the display surface. Be care when peeling off this protective film since static electricity may be generated.

### 10.2 Storage precautions

10.2.1 When storing the LCD modules, avoid exposure to direct sunlight or to the light of fluorescent lamps.

10.2.2 The LCD modules should be stored under the storage temperature range. If the LCD modules will be stored for a long time, the recommend condition is:

Temperature: 0°C ~ 40°C Relatively humidity: ≤80%.

10.2.3 The LCD modules should be stored in the room without acid, alkali and harmful gas.

### 10.3 Transportation Precautions

10.3.1 The LCD modules should be no falling and violent shocking during transportation, and also should avoid excessive press, water, damp and sunshine.

## 11 Laminated Screen Introduction

DWIN adopts original class A glass and the entire production is in the park from cleaning, cutting, bonding, and laminating of large glass to backlight assembly, quality inspection, and aging.

There are 12,000 square meters of clean workshop, with a monthly production capacity of about 2.5 million pieces. Each piece of LCD produced in the factory is for 30 days of aging.

### 11.1 Laminated screen classification

The laminated screen is mainly composed of cover glass, TP and LCD. The lamination methods can be either frame lamination or full lamination. The frame lamination process fixes TP with the four sides of LCD by 3M adhesive, which is one of the most common lamination methods. Full lamination is to seamlessly bond LCD and TP by optical adhesive. Compared to frame lamination, full lamination features by moisture-proof, dust-proof, high stability, high quality display, and can achieve the visible display under strong light.

### 11.2 ODM service

DWIN technology has built the Huan DWIN Science Park with a construction area of 250000 square meters (In addition, another 148000 square meters are under construction), integrating industrial chain of LCM, SMT, CTP, RTP, mold injection, and Sheet metal punching. DWIN can guarantee the production of LCM, CTP and RTP with first-class technology, highly automated and intelligent manufacturing equipment.

The production capacity of LCM lines is 2.5 million. The LCM lines support the production of LCM with high luminance(1200 nit), wide operating temperature(-40~85°C), anti-electromagnetic interference, sunlight readability and HDMI interface .

The production capacity of RTP lines is 5 hundred thousand. The RTP lines support the production of customized 4-wire RTP and 5-wire RTP, anti-UV material and AG material.

The production capacity of CTP lines is 1 million. The CTP lines support the production of customized CTP, including 1.3~21.5 inches (unconventional size), circular CTP, the shape, color and logo of cover plate, anti-UV, anti- fingerprint and AG material. They can also support the customization of various kinds of technologies, such as OCA lamination, ultrathin GFF, optical bonding, 2.5D and sunlight readability.

SMT lines



CTP lines



RTP lines



LCM lines



Final inspection lines



IQC lines



Laboratories



## Record of Revision

Rev	Date	Description	Editor
00	2023-04-24	First Release	Chen
01	2023-06-05	Update Luminance	Chen

Please contact us if you have any questions about the use of this document or our products, or if you would like to know the latest information about our products:

Customer service tel: +86 400 018 9008

Customer service email: [dwinhmi@dwin.com.cn](mailto:dwinhmi@dwin.com.cn)

DWIN developer forum: <https://forums.dwin-global.com/index.php/forums/>

Thank you all for continuous support of DWIN, and your approval is the driving force of our progress!